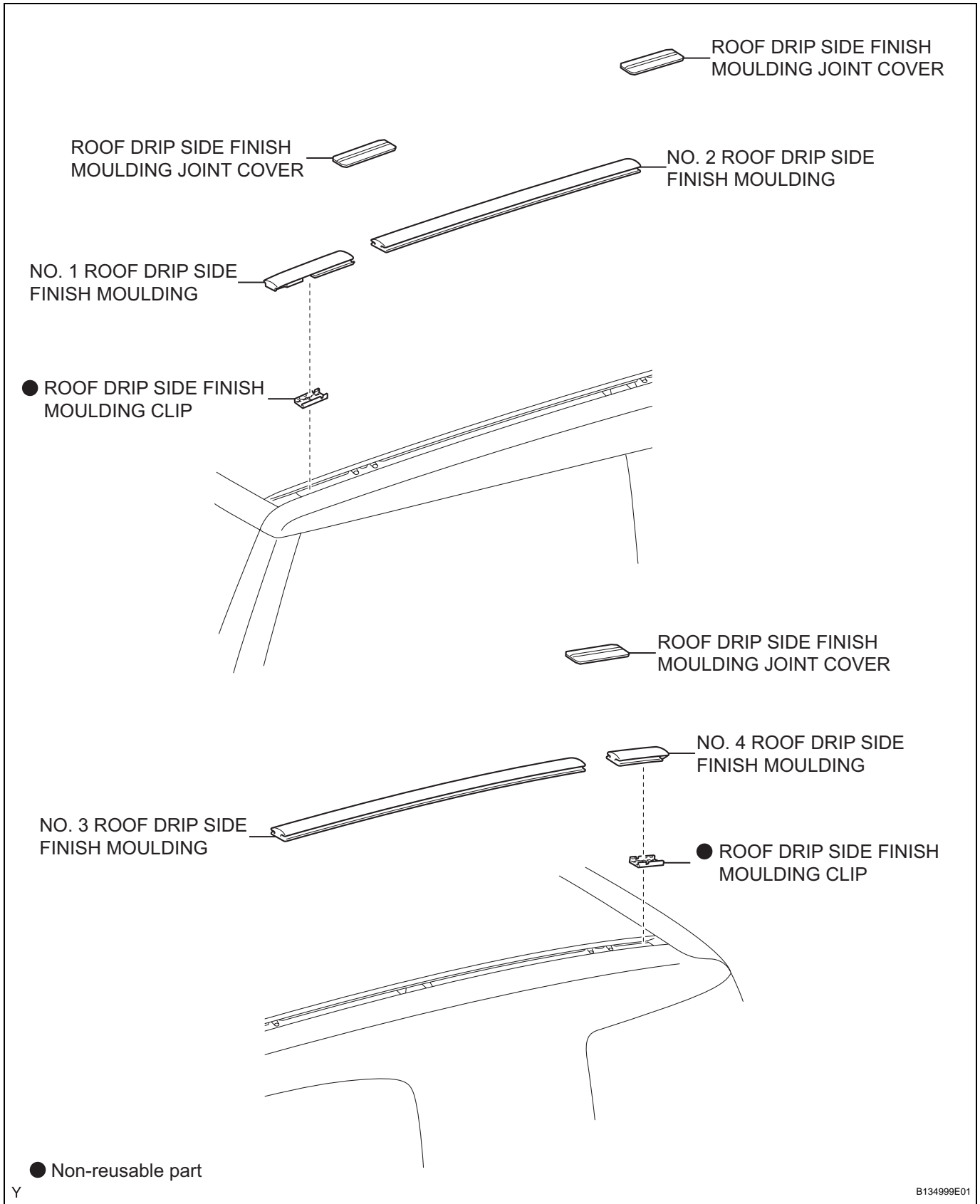
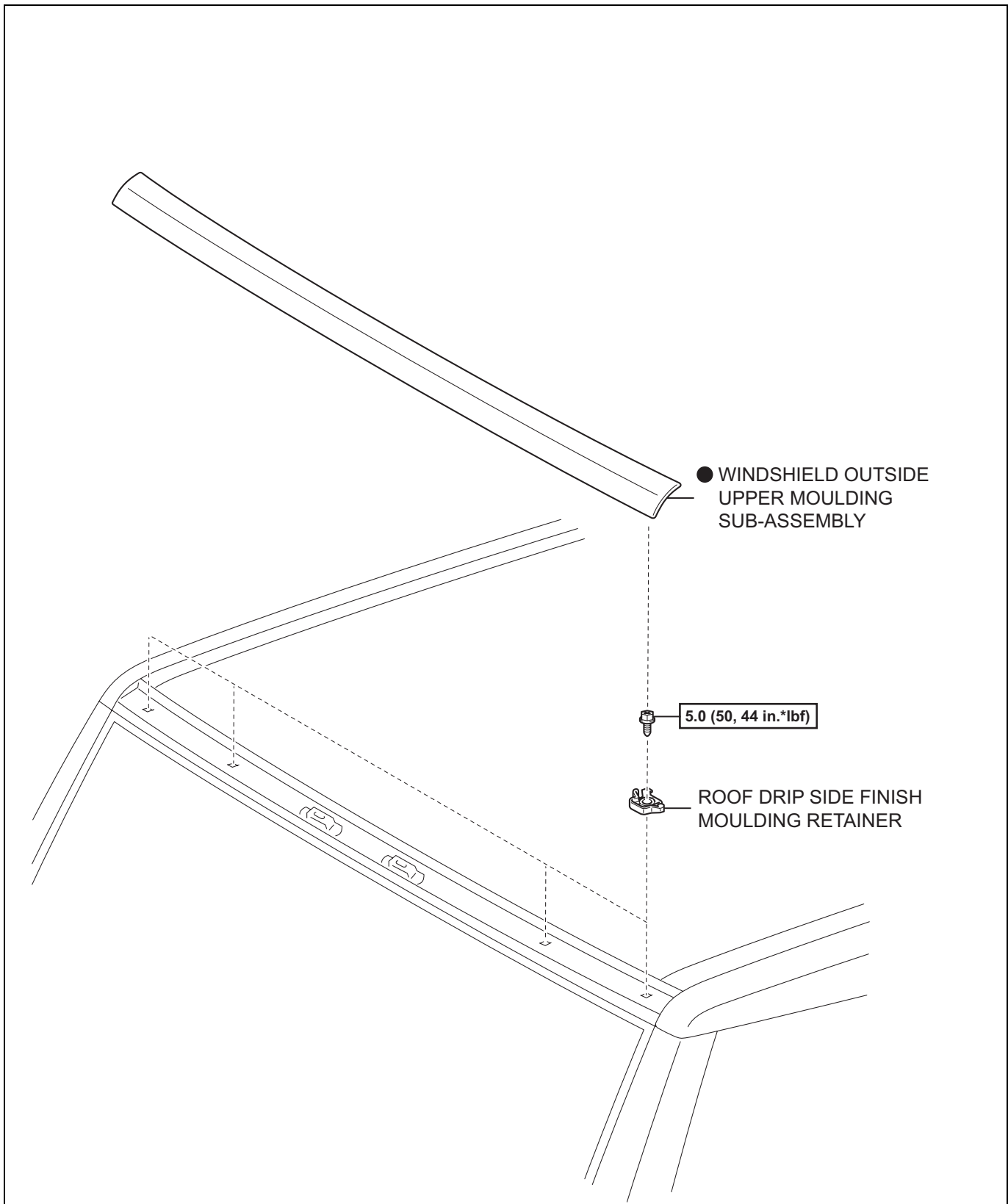


# ROOF DRIP SIDE FINISH MOULDING

## COMPONENTS



ET



● WINDSHIELD OUTSIDE UPPER MOULDING SUB-ASSEMBLY

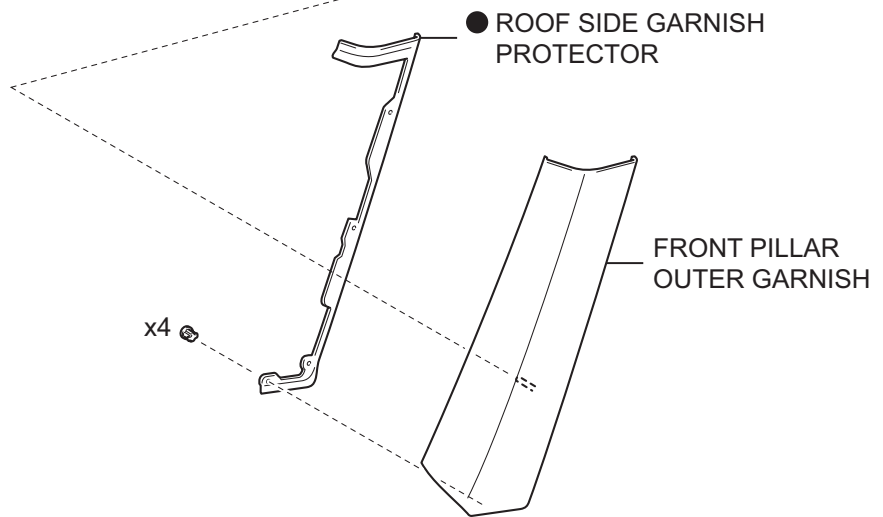
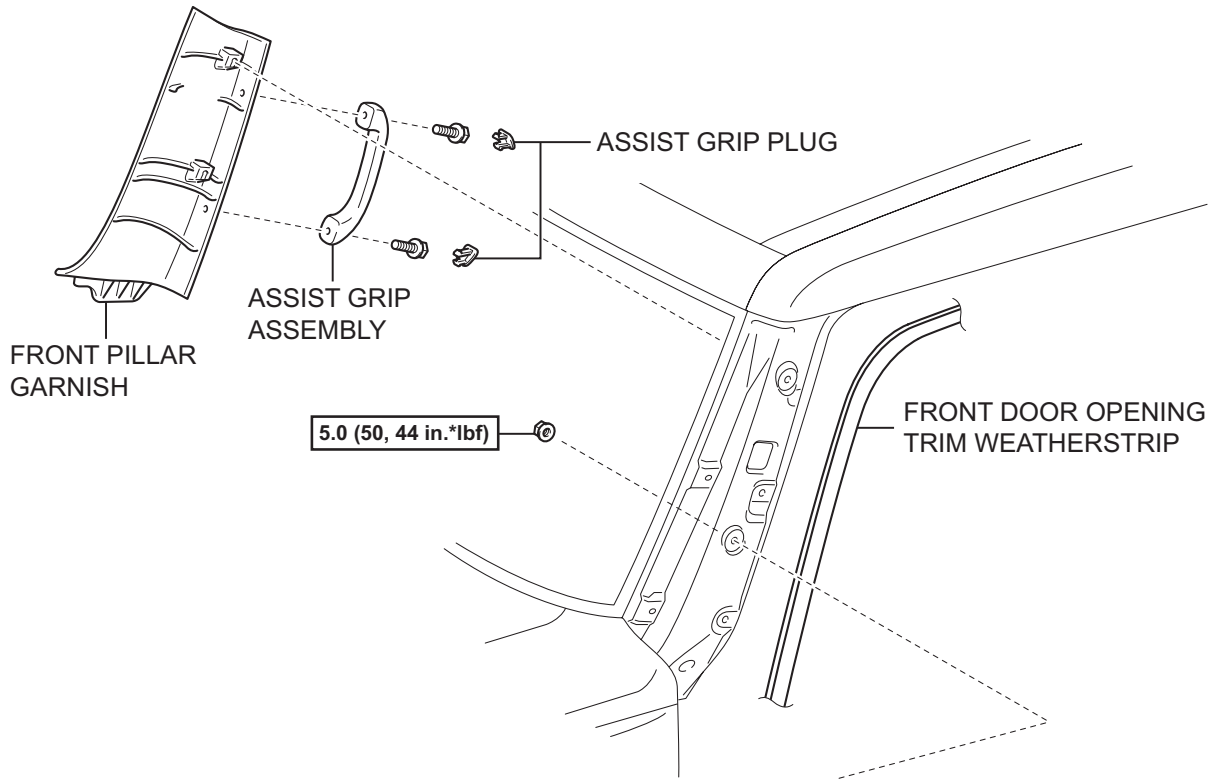
5.0 (50, 44 in.\*lbf)

ROOF DRIP SIDE FINISH MOULDING RETAINER

N\*m (kgf\*cm, ft\*lbf) : Specified torque

● Non-reusable part

ET



**N\*m (kgf\*cm, ft\*lbf)** : Specified torque

● Non-reusable part

Y

ET